

1" - 8 THREAD x 1-3/4 DEEP
C'BORE DIA 1.032 x .400 DEEP

PRECISION GROUND
FOR DUAL CONTACT FIT

Ø2.75

Ø3.875

Ø2.44

Ø1.25

LOCK SCREW
5/8-18 x 1.25 SHCS

Ø1.48

1.02

4.03

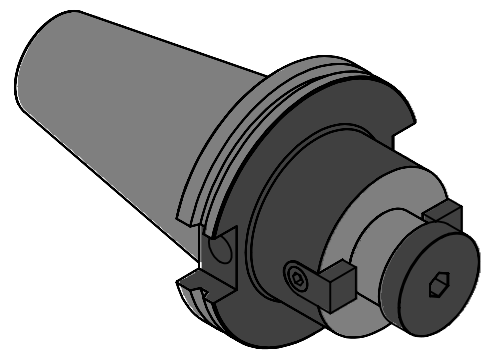
0

.06

.75

2.00

2.62



NOTES:

WORKS ON ALL CAT50 MACHINES WITH DUAL CONTACT SPINDLES
COMPATIBLE WITH BIG-PLUS® SPINDLES
HOLDER USES LOCK SCREW 5/8-18 x 1.25 SHCS (INCLUDED)
FOR MORE PRODUCT DETAILS PLEASE GO TO MARITool.COM
AND SEARCH ITEM # LISTED ON THIS PRINT

MARITool

WWW.MARITool.COM

ITEM# **CAT50 FMA1.25-2.0DT**

Made in USA